



ARISTON
COMFORT ALWAYS ON



Electric Storage
Water Heater

ANDRIS LUX

HOT WATER | RENEWABLE

ANDRIS LUX 15-30 Electric Storage Water Heater



ELEGANCE AND EFFICIENCY AT IT'S BEST

- Stunning synthesis of form and function
- Made with super-ecologic insulation materials to better conserve energy through its improved titanium-enamel tank
- Shell Technology — a perfect balance of geometry and assembly
- Strong resistance to pressure and corrosion making it a permanent fixture in the house



ITALIAN ART DESIGN
BY UMBERTO PALERMO



TITANIUM ENAMELED
TANK



DURABLE COPPER
HEATING ELEMENT



TEMPERATURE REGULATION



TOTAL SAFETY SYSTEM



ENERGY SAVING
PERFORMANCE



HIGH DENSITY
HEAT INSULATION



PROTECTION FROM
WATER SPLASH (IP25)

TECHNICAL DATA

ANDRIS LUX
UNDERSINK 15UR

ANDRIS LUX 15

ANDRIS LUX 30

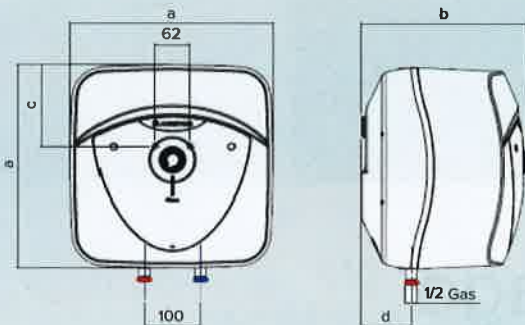
		15	15	30
Capacity	(L)	15	15	30
Power	(W)	1500	1500	1500
Voltage	(V)	230	230	230
Heating time [$\Delta T=35^{\circ}\text{C}$]	(h:min)	0:36	0:36	0:70
Max. working temperature	($^{\circ}\text{C}$)	70	70	70
Max. working pressure	(bar)	8	8	8
Heat Dispersion	(kWh/24h)	0.85	0.61	0.77

CODE

3100754

3100565

3100564



● Cold water inlet G 1/2

● Hot water outlet G 1/2

	a(mm)	b(mm)	c(mm)	d(mm)
15L	360	346	144	78
30L	447	410	165	114

ARISTON THERMO PTE LTD

1 Gateway Drive, #20-05/06, Westgate Tower, Singapore 608531

T: [+65] 6226 0292 F: [+65] 6226 0361

E: info.sg@aristonthermo.com

aristonsingapore

ariston.com

YouTube ariston singapore